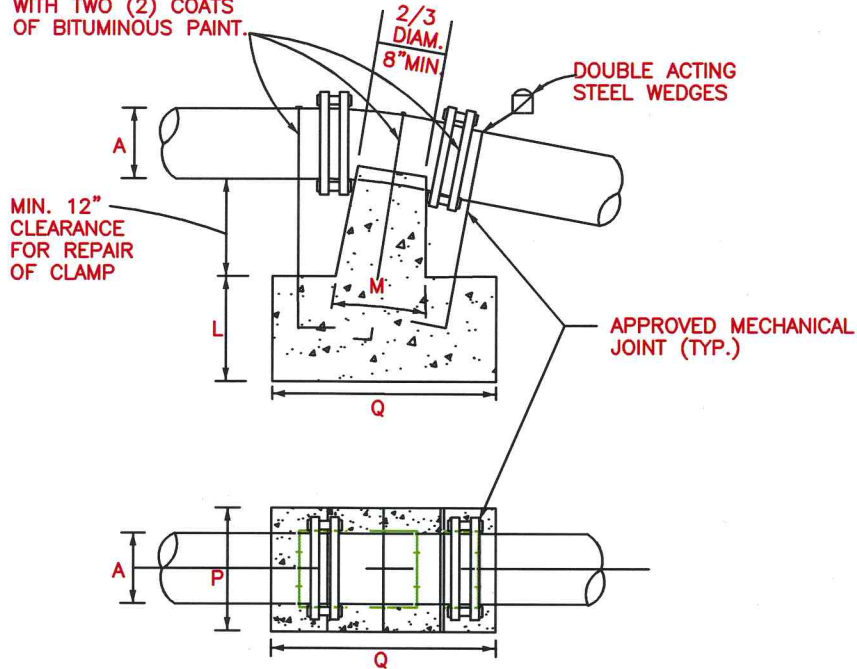


3-NO. 6 BARS BENT AND EMBEDDED AS SHOWN. PAINT EXPOSED SURFACE WITH TWO (2) COATS OF BITUMINOUS PAINT.



ANCHORAGE FOR VERTICAL BENDS

NTS

MINIMUM BUTTRESS DIMENSIONS						
A	PIPE SIZE	6"	8"	10"	12"	16"
L	11 1/4"	18"	24"	24"	30"	36"
	22 1/2"	24"	24"	30"	30"	42"
	45"	24"	30"	42"	46"	54"
M		20"	24"	30"	30"	36"
P	11 1/4"	18"	24"	30"	30"	36"
	22 1/2"	24"	30"	36"	42"	48"
	45"	30"	36"	42"	48"	60"
Q	11 1/4"	24"	24"	30"	36"	42"
	22 1/2"	30"	36"	42"	48"	54"
	45"	42"	48"	54"	60"	72"

NOTES:

1. ALL CONCRETE TO BE CLASS "B."
2. CARRY CONCRETE BUTTRESS TO UNDISTURBED EARTH.
3. BUTTRESS DIMENSIONS SHOWN ARE MINIMUM DIMENSIONS ARE BASED UPON SOIL BEARING PRESSURE OF 3000 P.S.F. AND STATIC WATER PRESSURE OF 150 P.S.I.
4. WHERE WATER PRESSURE EXCEEDS 150 P.S.I AND/OR WHERE SOIL BEARING PRESSURE IS LESS THAN 5000 P.S.F SPECIAL BUTTRESS DESIGN IS REQUIRED.



The Town of Mount Airy, Maryland

APPROVED

ANCHORAGE FOR VERTICAL BENDS

By:
MDH

Date

7/21/10

Standard Detail No.

W-05